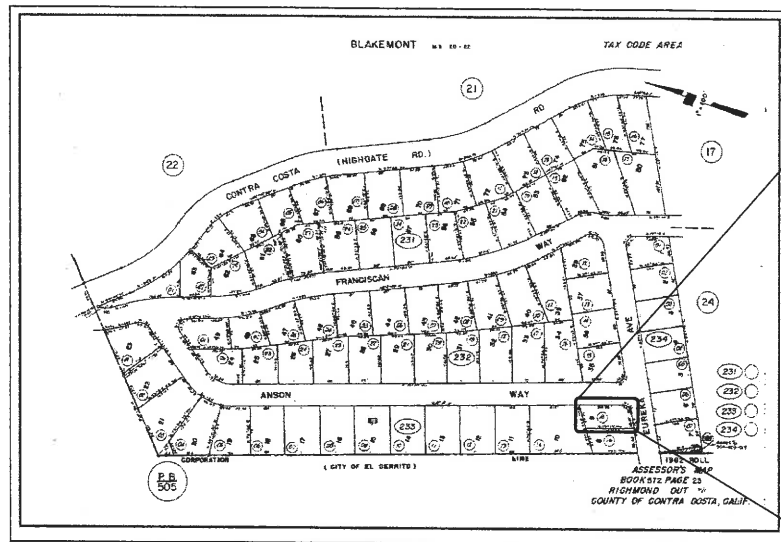
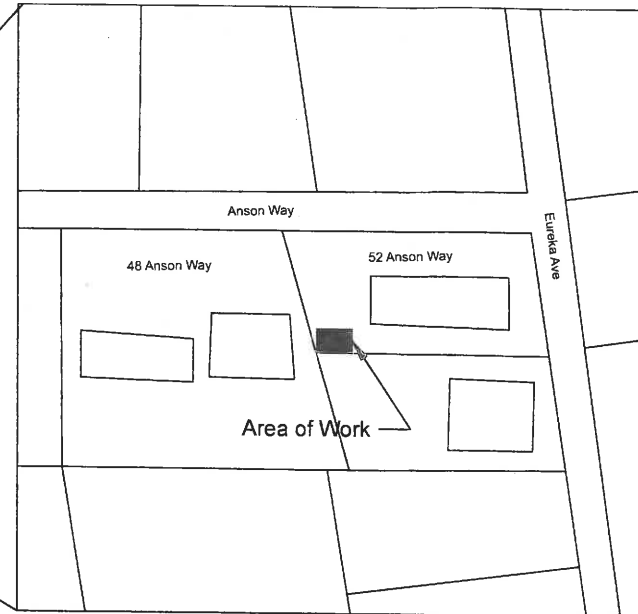


# Pergola Project

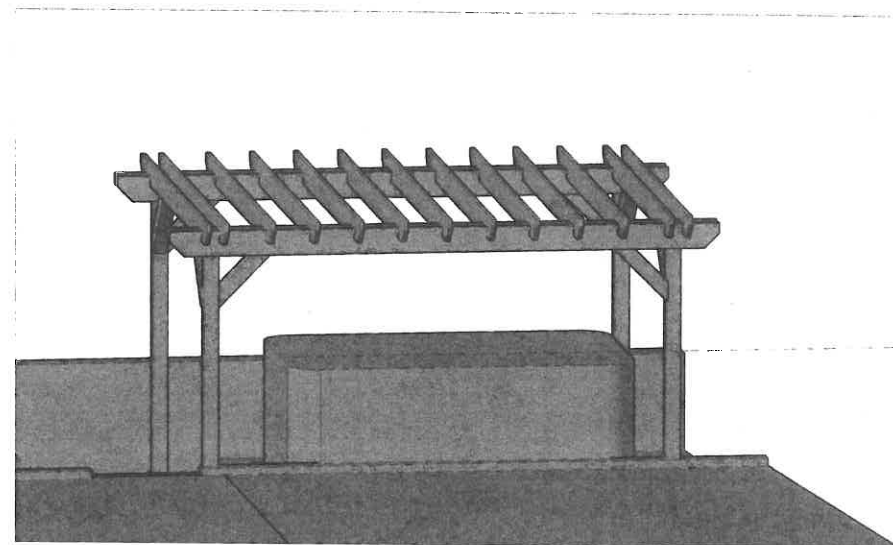
## 52 Anson Way



Neighborhood Plan



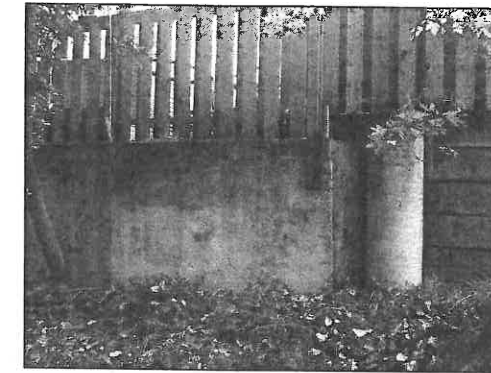
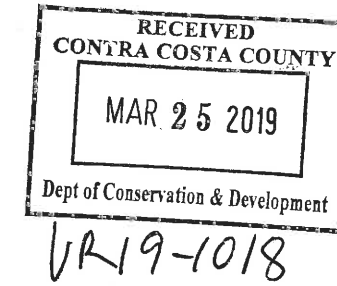
Site Plan



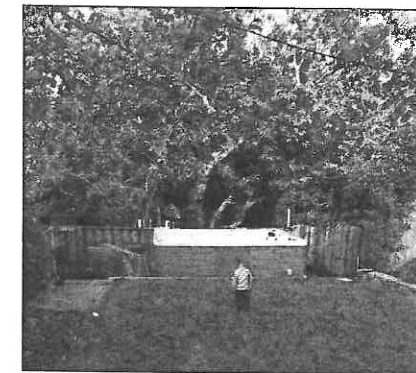
Final Design  
Scale: 1/4" = 1'

- 1 of 5
- 2 of 5
- 3 of 5
- 4 of 5

- Sheets
- Title Sheet
  - Site Plan
  - Pergola Elevations
  - Pergola Details & Cutsheets



Elevation Facing East  
Picture Date: Circa May 2017

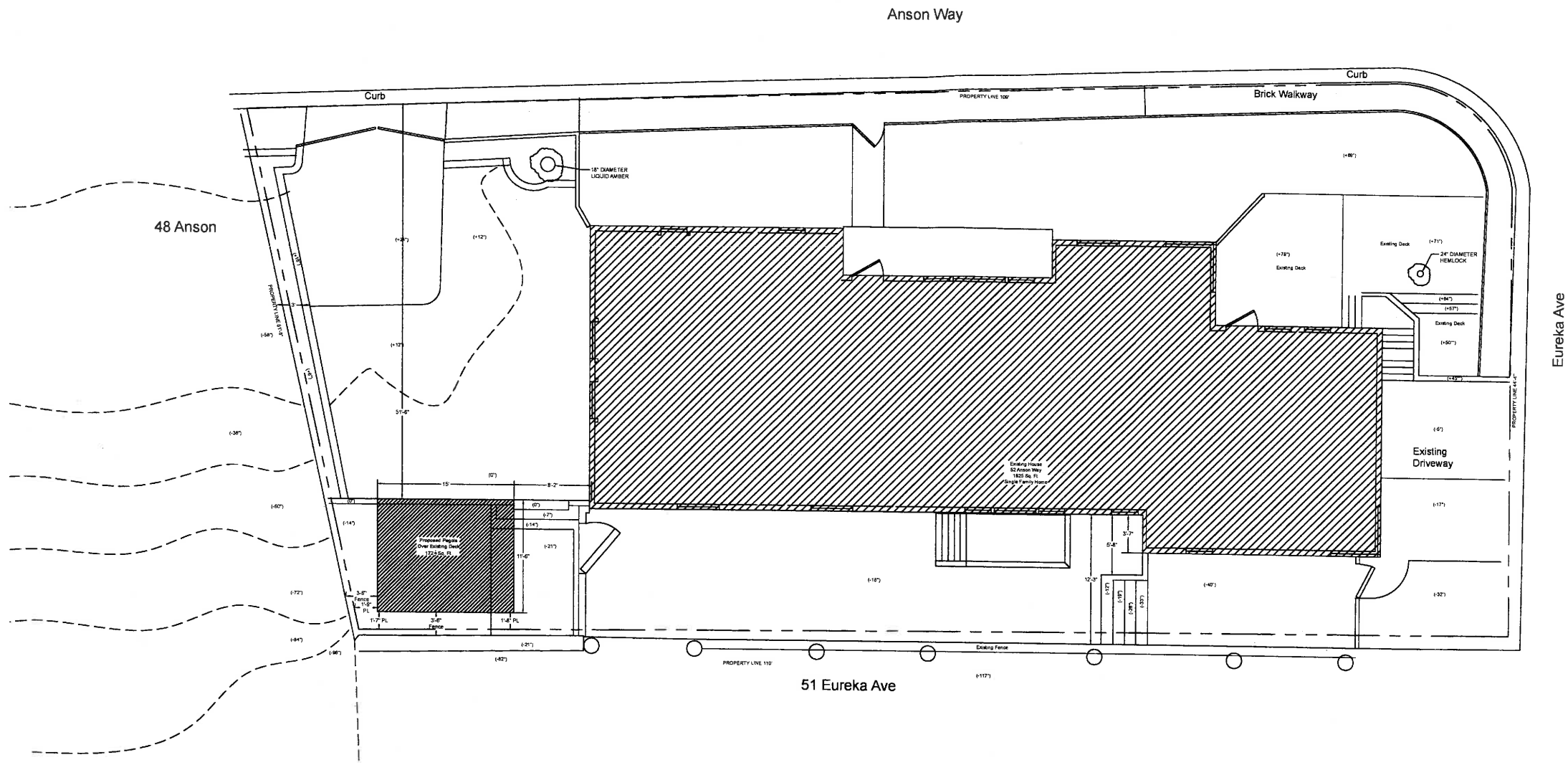


Elevation Facing West  
Picture Date: Circa May 2017



Existing 7'-6" Windbreak  
Picture Date: Circa 2012

Owner: Randy Young Address: 52 Anson Way Kensington, Ca 94707 415-939-7774	1 of 4	Scale: NTS Project: Open Pergola Shade Structure Scope: Remove old Windbreak wall and replace with a shade structure	Date: 3-11-19	Description: For Variance	Rev. 1
---	--------	---	---------------	---------------------------	--------

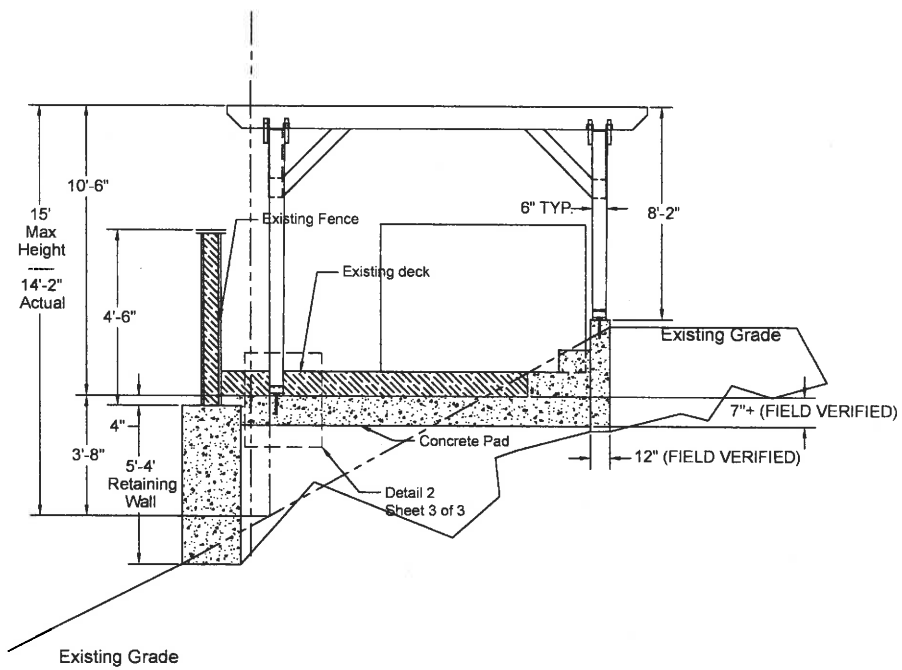


### Site Plan

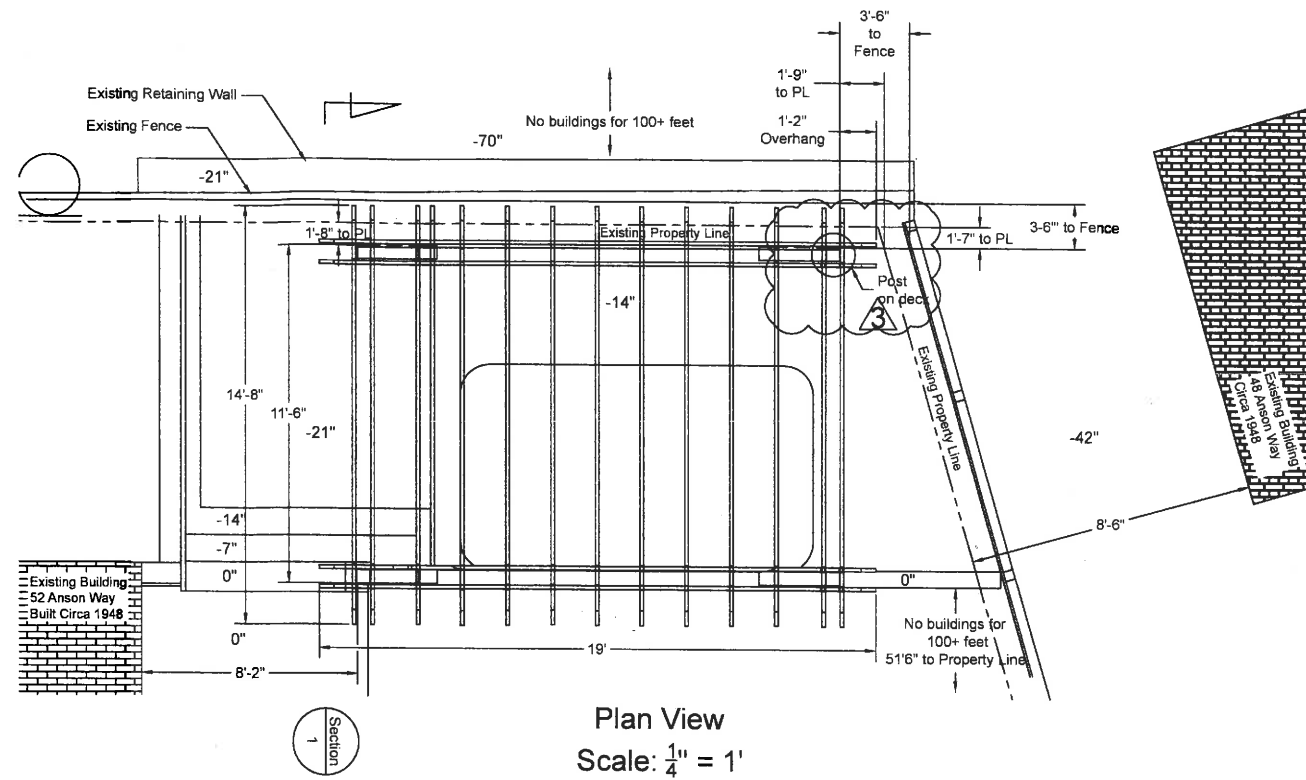
Description of proposed work:  
 172 1/2 Sq. Ft. Pergola over Existing Deck

Property Owner Name: D. Randall & Katy Young  
 Project Address: 52 Anson Way, Kensington, CA 94707  
 Lot size: 5,967 sq. ft

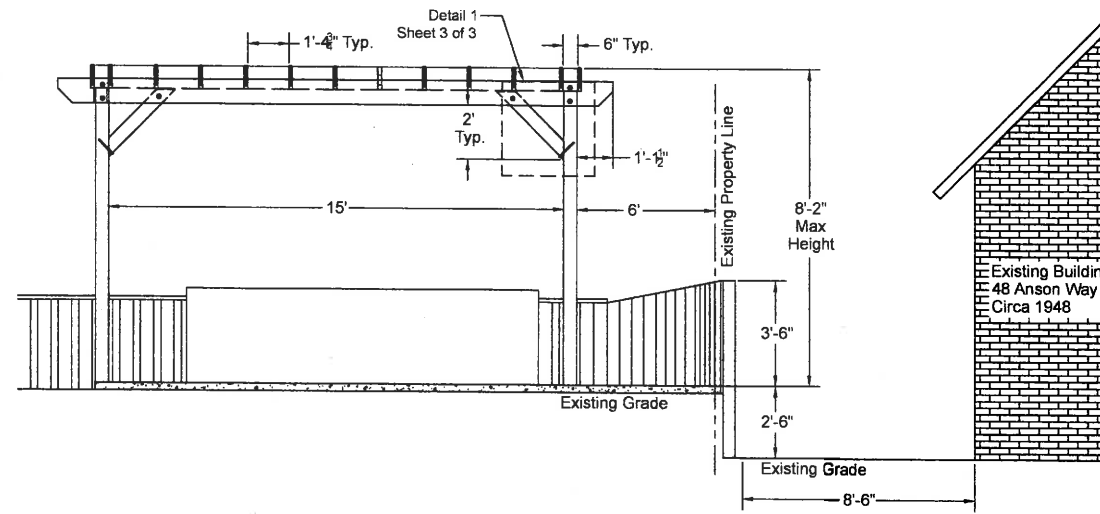
Owner: Randy Young Address: 52 Anson Way Kensington, Ca 94707 415-939-7774	2 of 4	Scale: 1/8" = 1' Project: Open Pergola Shade Structure Scope: Remove old Single Pane Window Replace with Low E Sliding Door, Build Deck & Pergola	Date:	3-11-19
			Description	For Variance
			Rev.	1



Section 1  
Facing North  
Scale:  $\frac{1}{4}'' = 1'$

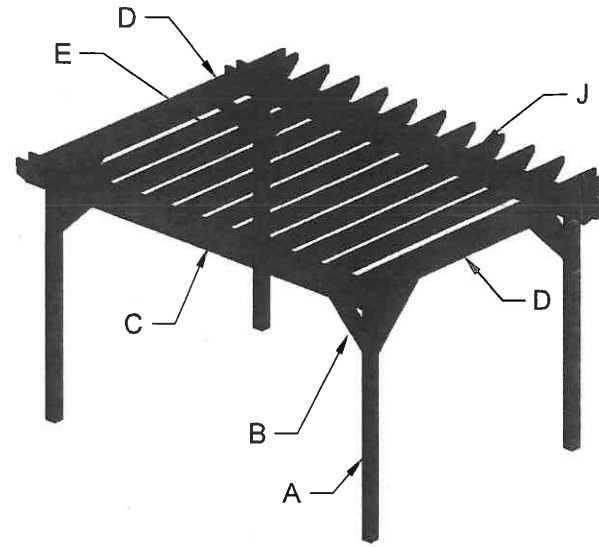
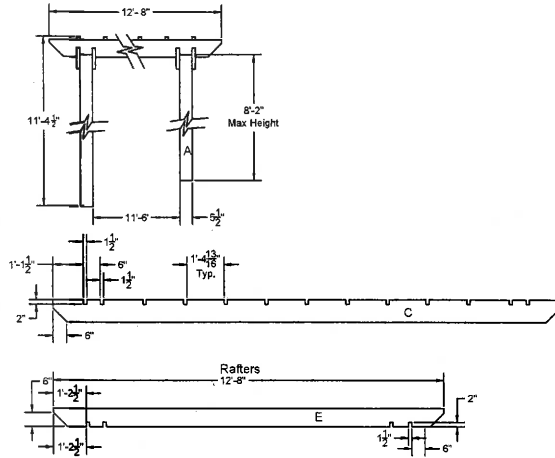


Plan View  
Scale:  $\frac{1}{4}'' = 1'$



Front View  
Facing West  
Scale:  $\frac{1}{4}'' = 1'$

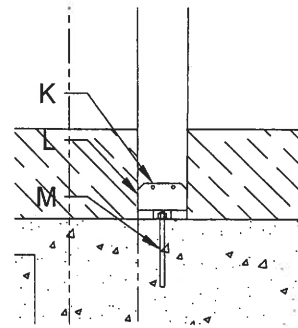
Owner: Randy Young Address: 52 Anson Way Kensington, Ca 94707 415-939-7774	3 of 4	Scale: $\frac{1}{4}'' = 1'$ Unless Otherwise Noted Project: Open Pergola Shade Structure Scope: Remove old Windbreak wall and replace with a shade structure	Date:	3-11-19	Description For Variance	Rev.	1



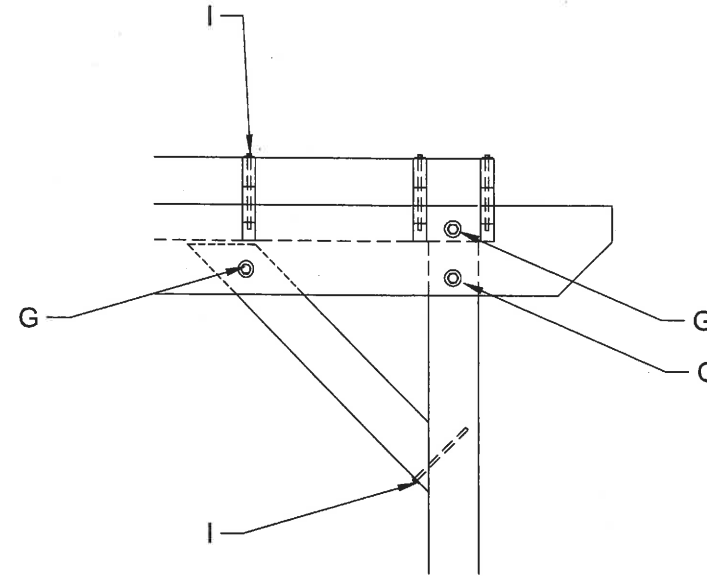
**Bill of Materials**

Key	No	Description	Size
A	4	Posts	6"x6" x 12 ft.
B	4	Angled Bracket	6"x6" x 28 in.
C	4	Beams	2"x10" x 192 in.
D	2	Outside Rafters	2"x8" x 185.5in.
E	9	Inside Rafters	2x 8" 178 in.
F	2	Headers	2"x8" x 162 in.
G	3	Header Blocking	1-1/2"x3" x 162 in.
H	12	FastenMaster ThruLokvScrew Bolt	11 1/4" Bolts
I	22	Hex Head Self-Tapping Screws	1/4" x 8" Lag Screws
J	13	Hex Head Self-Tapping Screws	1/4" x 4" Lag Screws
K	8	FastenMaster ThruLokvScrew Bolt	7 1/4" Bolts
L	4	Simpson Strong Tie APB66R Post Base	6 in. x 6 in.
M	4	Wedge Anchor Strong-Bolt	5/8 in. x 8-1/2 in.

Cutsheet  
Scale: 1/4" = 1'



Detail 2  
3 x Post Anchor  
1 on deck  
Scale: 1" = 1'



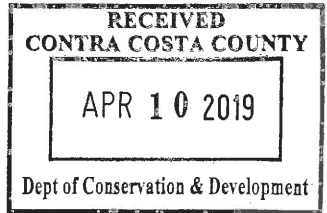
Detail 1  
Brace  
Scale: 1" = 1'

Rev.	Description	Date:
1	For Variance	3-11-19

Scale: 1/4" = 1' Unless Otherwise Noted  
Project: Open Pergola Shade Structure  
Scope: Remove old Windbreak wall and replace with a shade structure

4 of 4

Owner: Randy Young  
Address: 52 Anson Way  
Kensington, Ca 94707  
415-939-7774



VR19-1018