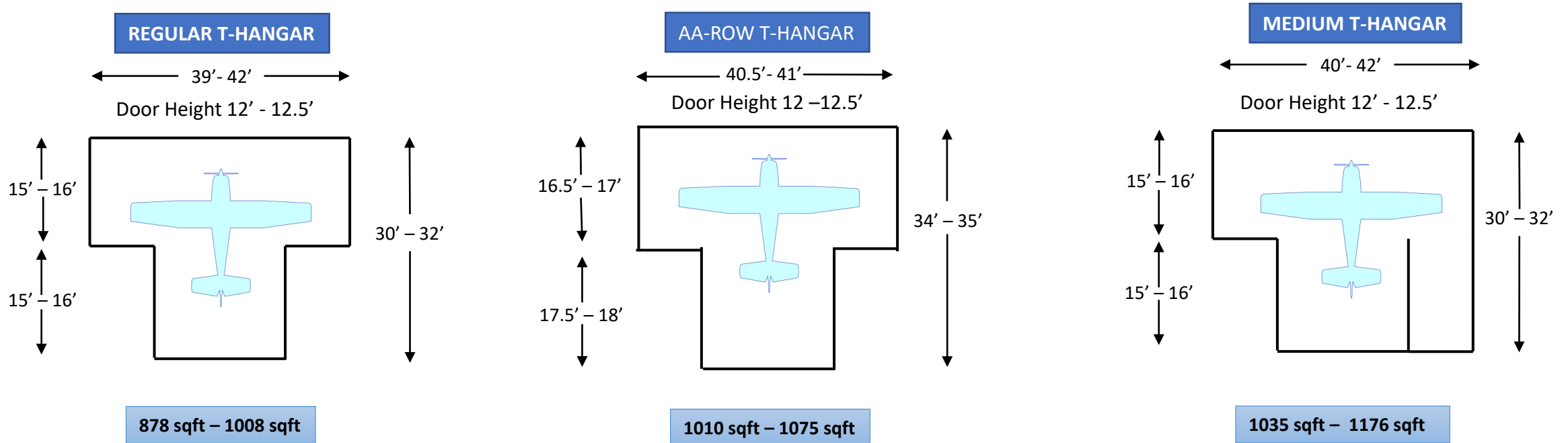


CONTRA COSTA COUNTY AIRPORTS HANGARS

Buchanan Field East Ramp Hangars



Please follow the link to the Airports Rates and Charges for hangar rates: <https://www.contracosta.ca.gov/3980/Airport-Rates-Charges>

Note that hangar sizes are approximate. Each hangar row is slightly different than the next (see hangar layout plans)

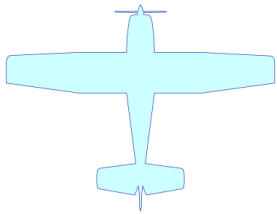
CONTRA COSTA COUNTY AIRPORTS HANGARS

Buchanan Field

East Ramp Hangars (continued)

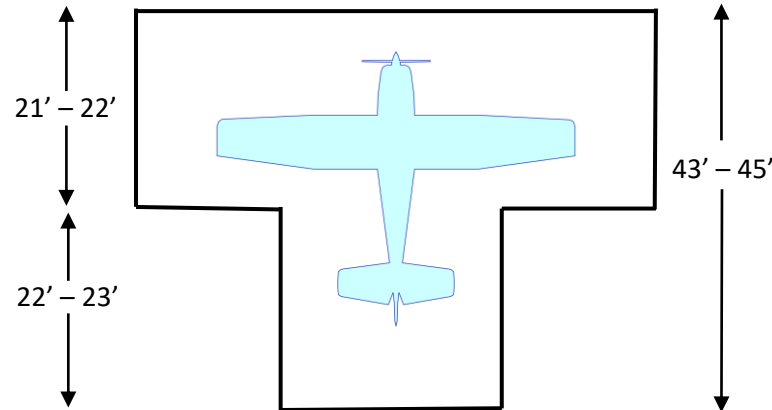
B-ROW SHADE HANGAR

Aircraft fit for shade hangars is dependent upon adjacent aircraft wingspan and height



LARGE T-HANGAR F-2 through F-5

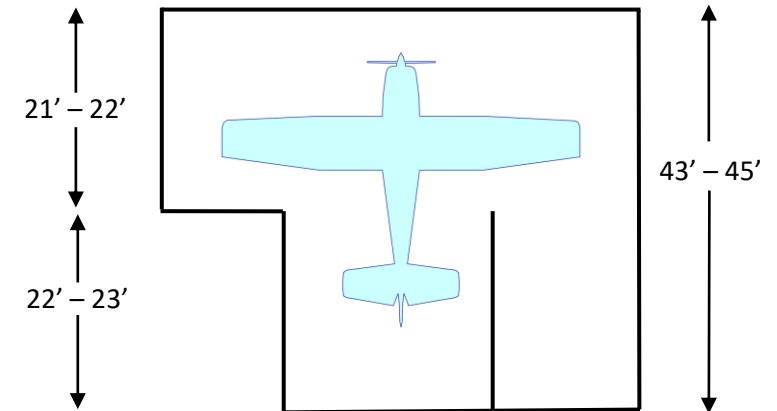
52' - 53'
Door Height 17.5'



1521 sqft - 1649 sqft

LARGE T-HANGAR F-1 and F-6

52' - 53'
Door Height 17.5'



1873 sqft - 2017 sqft

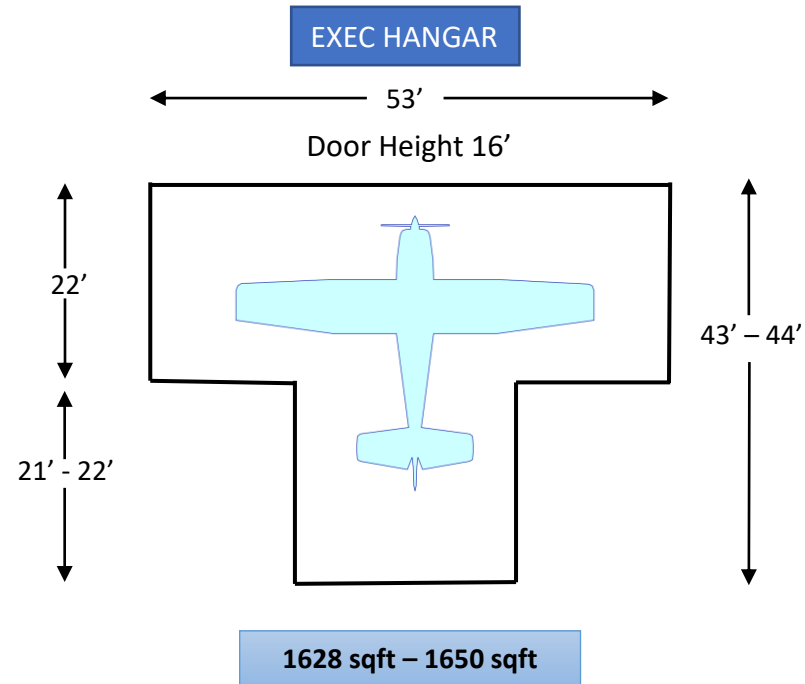
Please follow the link to the Airports Rates and Charges for hangar rates: <https://www.contracosta.ca.gov/3980/Airport-Rates-Charges>

Note that hangar sizes are approximate. Each hangar row is slightly different than the next (see hangar layout plans)

CONTRA COSTA COUNTY AIRPORTS HANGARS

Buchanan Field

West Ramp Hangars

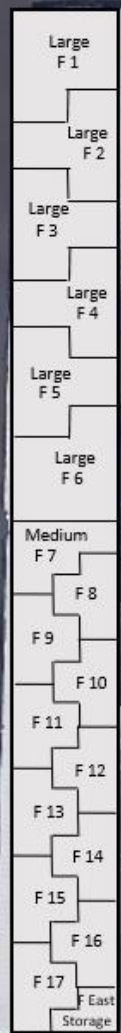


Please follow the link to the Airports Rates and Charges for hangar rates: <https://www.contracosta.ca.gov/3980/Airport-Rates-Charges>

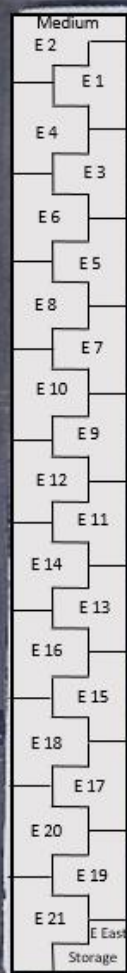
Note that hangar sizes are approximate. Each hangar row is slightly different than the next (see hangar layout plans)

EAST RAMP HANGARS

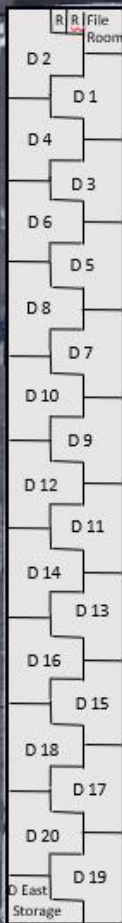
ROW F



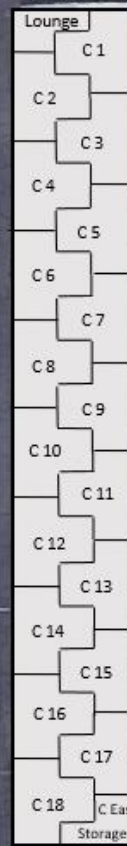
ROW E



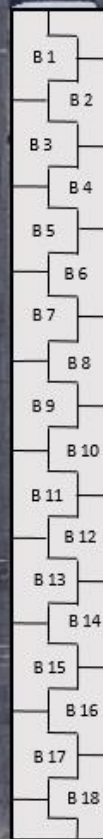
ROW D



ROW C



ROW B



ROW A



ROW AA

